



## THE UNI-SPRAY PIPE SADDLE SELECTION GUIDE

- ◀ High-quality injection-moulded pipe fitting which can be installed on an existing pipe in minutes.
- ◀ Made of polypropylene and highly resistant to a wide range of caustic and acid-based chemicals.
- ◀ Will operate effectively at pressures up to 10.3 bar in temperatures from 0° to 130 °C
- ◀ The Uni-Spray Pipe Saddle is well suited for use on I.P.S. outer dimension PVC, CPVC, stainless steel and black iron pipe.
- ◀ The Saddle will fit Schedule 40, Schedule 80, and SDR 13.5 through 64 pipe. Moreover, it also fits a variety of polyethylene and polybutylene pipe applications. These Saddles are available in 25 mm (1") through 150 mm (6") mainline pipe sizes, with a wide assortment of take-off sizes.
- ◀ Pipe Saddles eliminate the high cost of back welding female couplers to the thermoplastic, steel, or iron pipes, and are completely compatible with our Uni-Spray Quik-Disconnect couplers.



## Available Sizes

Refer to the chart below. Available combinations are indicated with an X.

		HEADER PIPE SIZE							
		1"	1 1/4"	1 1/2"	2"	2 1/2"	3"	4"	6"
TAKE-OFF SIZE	1/2" NPT	X	X	X					
	3/4"	NPT X	X	X	X				
	1" NPT		X	X	X	X	X	X	X
	1 1/4"	NPT			X	X	X	X	X
	1 1/2"	NPT			X	X	X	X	X
	2" NPT					X	X	X	X

# PIPE SADDLE INSTALLATION INSTRUCTIONS

## Product Advantages:

- ◀ The use of Pipe Saddles eliminates the higher cost of back welding female couplers to thermoplastic pipe and simplifies on-site installation and repairs.
- ◀ Raw material is polypropylene and resistant to a wide range of caustic and acid-based chemicals. Operating temperature range is approximately 0° to 130°C.
- ◀ Working pressure: will operate effectively at pressures up to 10.3 bar.
- ◀ Compression seal o-ring ensures sealing.

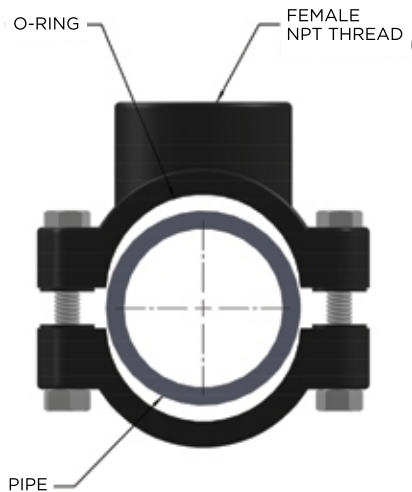
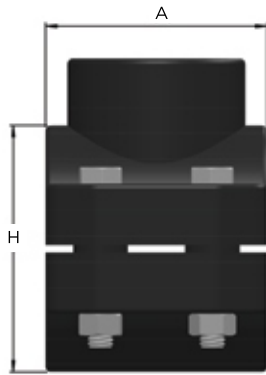
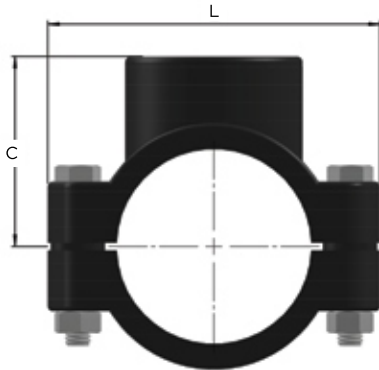


## To Assemble

1. Place the o-ring into saddle.
2. Position the saddle on the pipe.
3. Install the lower half and fasteners and partially tighten the bolts.
4. Check the saddle position and level, adjust if necessary, and then tighten the bolts evenly.
5. Drill a hole in the pipe through the saddle take-off.
6. Install the connecting pipe or Quik-Disconnect® fitting.



# PIPE SADDLE DIMENSIONS



PART NO.	PIPE SIZE	TAKE-OFF	L	H	C	A
100SAD050	25 mm (1")	1/2"	79.1	42.0	40.0	49.0
100SAD075	25 mm (1")	3/4"	79.1	42.0	40.0	49.0
125SAD050	32 mm (1 1/4")	1/2"	86.0	52.1	45.0	62.0
125SAD075	32 mm (1 1/4")	3/4"	86.0	52.1	45.0	62.0
125SAD100	32 mm (1 1/4")	1"	86.0	52.1	45.0	62.0
150SAD050	40 mm (1 1/2")	1/2"	86.0	62.0	50.0	62.0
150SAD075	40 mm (1 1/2")	3/4"	86.0	62.0	50.0	62.0
150SAD100	40 mm (1 1/2")	1"	86.0	62.0	50.0	62.0
200SAD100	50 mm (2")	1"	101.1	77.1	58.1	62.0
200SAD125	50 mm (2")	1 1/4"	101.1	75.0	58.1	62.0
200SAD150	50 mm (2")	1 1/2"	101.1	75.0	58.1	62.0
250SAD100	63 mm (2 1/2")	1"	116.0	89.0	66.1	77.1
250SAD125	63 mm (2 1/2")	1 1/4"	116.0	89.0	66.1	77.1
250SAD150	63 mm (2 1/2")	1 1/2"	116.0	89.0	66.1	77.1
300SAD100	75 mm (3")	1"	132.0	106.1	77.1	87.0
300SAD125	75 mm (3")	1 1/4"	132.0	106.1	77.1	87.0
300SAD150	75 mm (3")	1 1/2"	132.0	106.1	77.1	87.0
300SAD200	75 mm (3")	2"	132.0	106.1	77.1	87.0
400SAD100	100 mm (4")	1"	172.0	140.0	94.0	101.0
400SAD125	100 mm (4")	1 1/4"	172.0	140.0	94.0	101.0
400SAD150	100 mm (4")	1 1/2"	172.0	140.0	94.0	101.0
400SAD200	100 mm (4")	2"	172.0	140.0	94.0	101.0
600SAD100	150 mm (6")	1"	236.9	191.8	133.6	168.0
600SAD125	150 mm (6")	1 1/4"	236.9	191.8	133.6	168.0
600SAD150	150 mm (6")	1 1/2"	236.9	191.8	133.6	168.0
600SAD200	150 mm (6")	2"	236.9	191.8	133.6	168.0